

# DIODE DYNAMICS

PERFORMANCE LIGHTING TECHNOLOGY

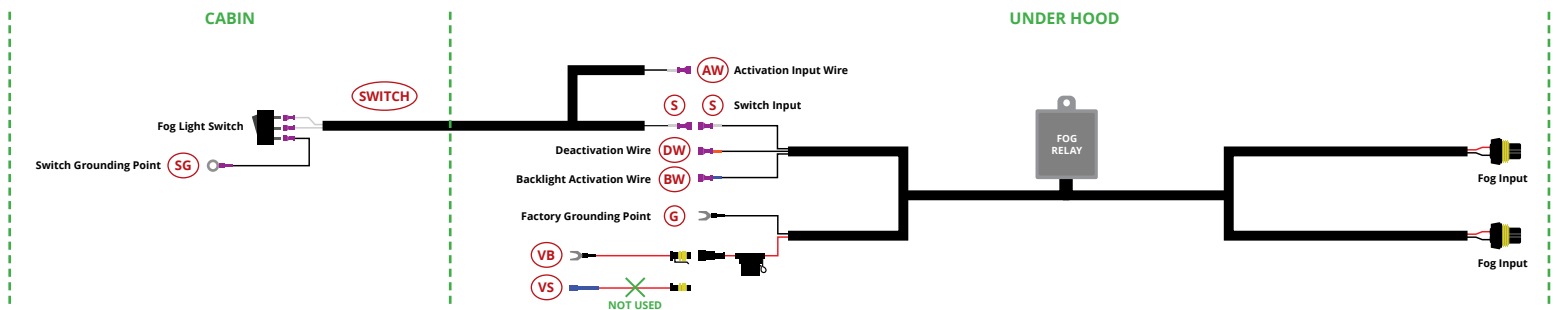
## Add-On Foglight Wiring Harness Installation Guide

Thank you for your purchase of our add-on foglight wiring harness. Installation instructions are included below.  
**Please contact us if you have any questions.**

### Wiring Instructions

This harness allows you to add fog lights to your vehicle that will work in the same way as a factory-installed fog light. The fog lights will turn on automatically any time the headlights are turned on, and the fog light switch is in the on position. When routing harnesses, avoid areas that may be subject to heat buildup or moving parts. We recommend following the path of original manufacturer wiring harnesses.

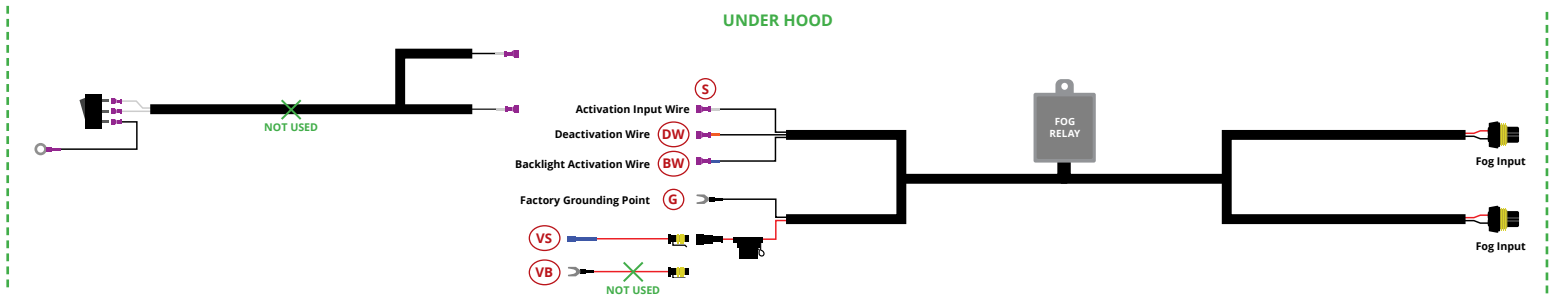
#### METHOD ONE - Add New Switch to Vehicle



1. Route wiring harness near the fuse box, under your hood. Run the output wire to the fog location on each side of the vehicle. Route the Switch into the vehicle cabin, on the driver's side.
2. Connect positive (VB) and negative (G) battery wires to the battery, or to the main power terminals near the fuse box.
3. Connect the Activation Input Wire to your preferred activation signal. (AW) Any time this activation signal is powered and the switch is in the On state, the fog lights will be turned on. We recommend tapping the sidemarker or low beam signal, so your fog lights can automatically turn on and back off with your parking lights or low beams.
4. Connect the Deactivation wire (DW) to your preferred signal to disable the fog lights when 12V is applied. We recommend tapping the high beam signal to switch your fog light off when high beam is activated.
5. If you purchased a 4-pin harness with a backlight wire, connect the Backlight Activation Wire (BW) to a fused 12V source to trigger the backlight feature, such as the parking light or running light. Check local laws and regulations for on-road use of backlight feature.
6. Connect the Switch Input wire to the Fog Relay. (S)
7. Inside the cabin, connect the switch wires to the switch, aligning wire colors as shown. (SWITCH) Provide ground to the fog light switch using the included grounding wire. (SG) Identify a mounting point for the switch in an unused area of the dash, and mount in place.
8. Connect output wires to the light on each side of the vehicle.
9. Secure all wiring, and test for function.

*See back for method two and aiming instructions.*

## METHOD TWO - Use OEM Upfitter/Auxiliary Switch



If your vehicle came with factory upfitter/auxiliary switches, you may wish to use those switches, rather than installing a new one.

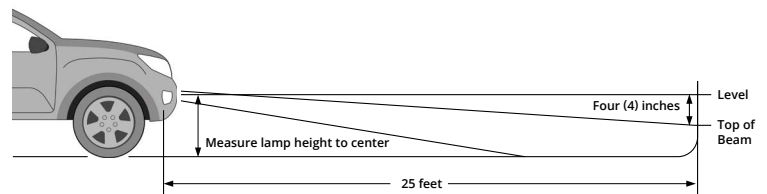
1. Route all wires, following instructions for Method One. DO NOT run switch wires into vehicle cabin.
2. Unplug the Battery Input Wire (VB) from the Fog Relay, and replace it with the Power Input Wire (VS).
3. Using a standard crimp tool, connect the Power Input Wire (VS) to an OEM Auxiliary Switch wire on your vehicle. Ensure the wire selected can provide adequate current for the operation of your lights - reference vehicle manual.
4. The Activation Input Wire (S) should be connected to your parking light or headlamp circuit, as described in Method One instruction. Now, your fog lights will activate any time the activation circuit is powered, and your upfitter switch is in the On position.
5. Connect the Deactivation wire (DW) to your preferred signal to disable the fog lights when 12V is applied. We recommend tapping the high beam signal to switch your fog light off when high beam is activated.
6. If you purchased a 4-pin harness with a backlight wire, connect the Backlight Activation Wire (BW) to a fused 12V source to trigger the backlight feature, such as the parking light or running light. Check local laws and regulations for on-road use of backlight feature.
7. Connect output wires to the light on each side of the vehicle.
8. Secure all wiring, and test for function.

### Functional Notes

1. The activation wire should be connected to an appropriate signal to enable the activation of fog lights. Do not connect directly to constant 12V power or to an ignition power source - this will allow the fog lights to be switched on manually at any time, or switched on any time the vehicle is running.
2. The deactivation wire can be used to disable the fog lights when 12V is applied.
3. Any backlight feature, if equipped, is intended only as an accent illumination. Before wiring and using this feature on public roads, check local laws and regulations regarding the use of accent lighting.

### Fog Light Aiming Instructions

1. Park your vehicle 25 feet away from a wall or garage door on a level surface.
2. On your vehicle, measure the distance between the ground and the center of your fog light. This is your mounting height.
3. Mark the mounting height on the wall or garage door using tape.
4. Add another piece of tape four inches below the mounting height. This is your fog light cutoff line.
5. Aim your lights on each side, so that the top of the beam pattern is on the cutoff line mark.



This installation guide is for the following SKUs:

DD4109 DT 2-Pin Add-On Foglight Wiring Harness  
DD4110 DT 4-Pin Add-On Foglight Wiring Harness

DD4111 H11 Add-On Foglight Wiring Harness  
DD4112 9006 Add-On Foglight Wiring Harness

DD4113 5202 Add-On Foglight Wiring Harness