

Stage Series 3" Pro White Angled LED Pod



FEATURES



- Advanced TIR optics provide high efficiency and focus
- High-intensity automotive-type LEDs
- Pin-fin heatsink design, for superior thermal dissipation
- Integrated Deutsch-style connector
- Durable powdercoated aluminum construction
- Designed, torture tested and assembled in USA

GENERAL SPECIFICATIONS

Optic	Peak Beam Intensity (Candela)	Illuminance (lux @10m)	Measured Output (Lumens)	Raw Output (Lumens)	Output Color
Driving	66,500 cd	665 lux	3,000 lm	5,796 lm	6000K White
Fog	11,900 cd	119 lux	3,000 lm	5,796 lm	6000K White

Functions: White Output

Voltage Range: 9-16V

Current Draw (amps @ 12.8V): 2.7A

Wattage: 36W

Connector Type: Deutsch DT Connector

Driver Type: Integrated Driver

LED Type/Count: Cree XP-L HI/4 total

Compliance Rating: J575 Durability Test, SAE-F J583, SAE-Y J581

Intrusion Rating: IP69K Waterproof, High Pressure

Operating Temperature: -40°C to 85°C

What's Included:

- One (1) or Two (2) Stage Series 3" LED Pods
- One (1) or Two (2) Deutsch-style wire pigtails
- One (1) or Two (2) Mounting brackets and hardware

Dimensions & Weight:

Length: 14.5" **Width:** 10" **Height:** 5"

Weight: 2.5 lbs (single), 3.5 lbs (pair)

SKUs: Append "S" to the end of each SKU for single and "P" for pair

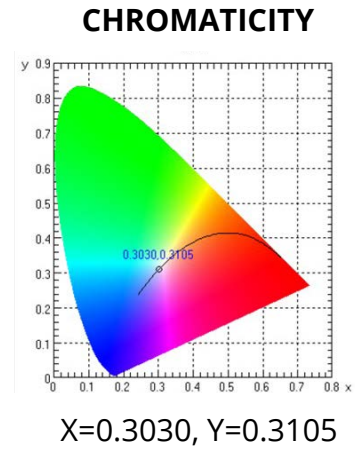
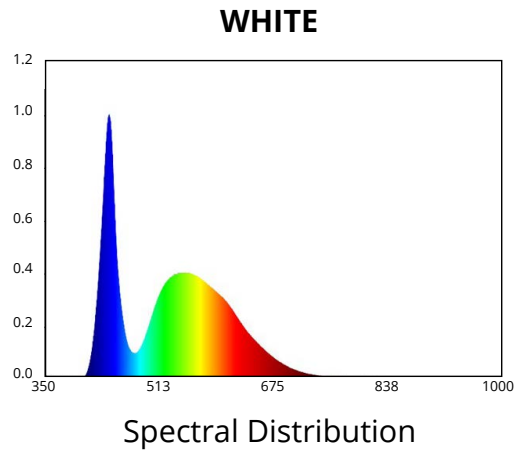
DD6164 Stage Series 3" Pro White Driving Angled

DD6167 Stage Series 3" Pro White Fog Angled

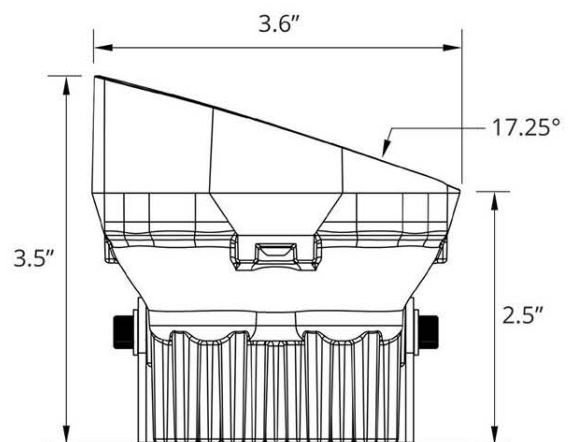
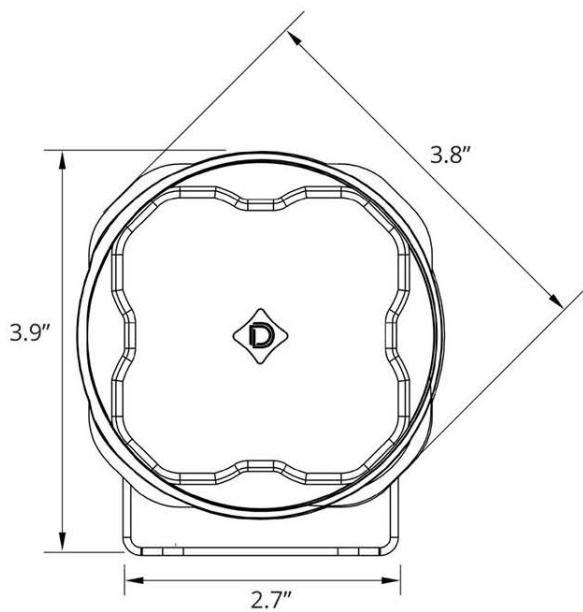
All data and specifications are nominal values and may vary.

PUBLISHED: 2-24-2021

COLORIMETRIC SPECIFICATIONS



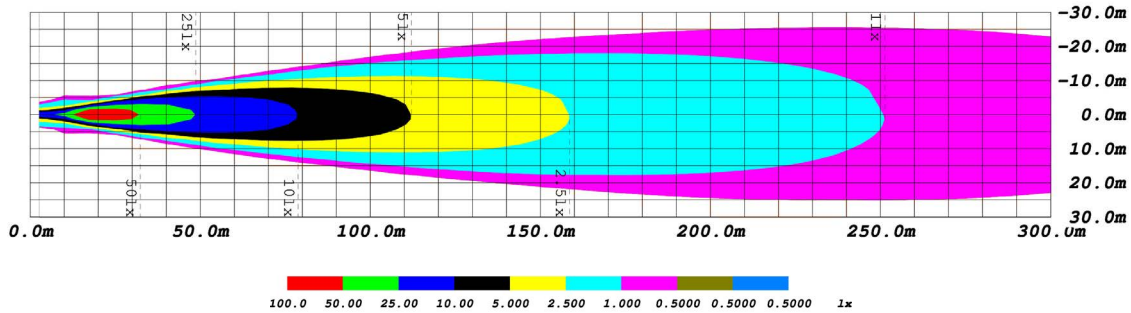
PRODUCT DIMENSIONS



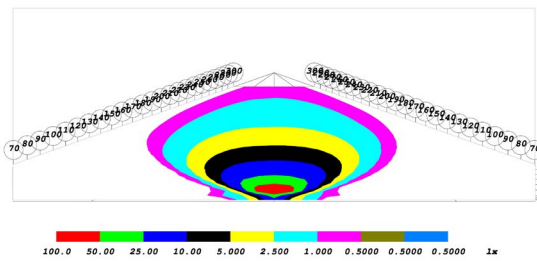
PUBLISHED: 2-24-2021

PHOTOMETRIC SPECIFICATIONS

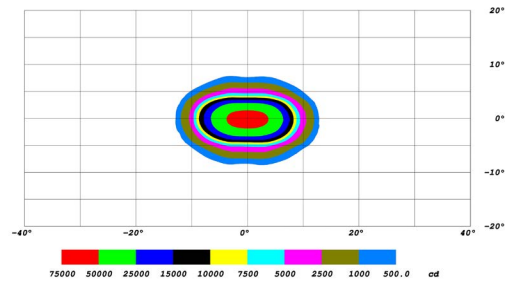
Driving Optic Isolux



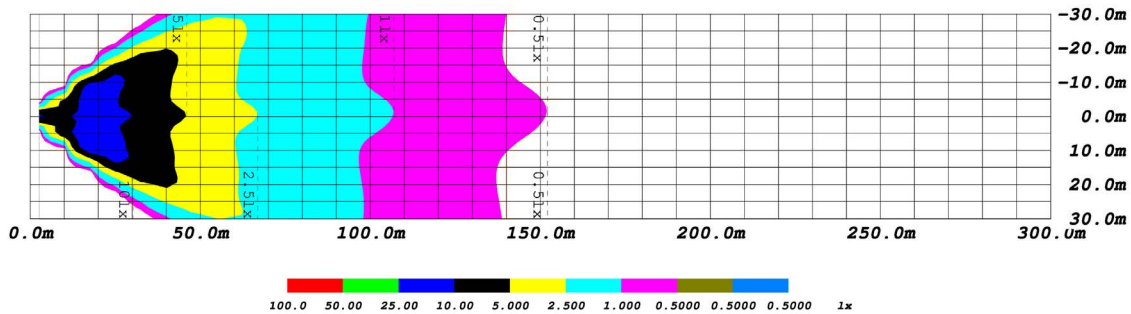
Driving Optic Perspective



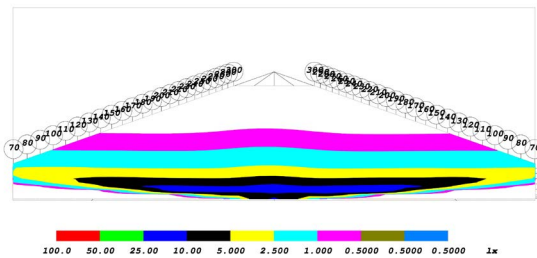
Driving Optic Isocandela



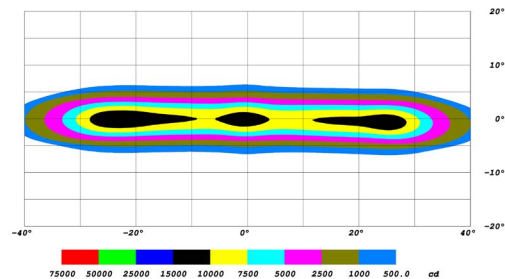
Fog Optic Isolux



Fog Optic Perspective



Fog Optic Isocandela



PUBLISHED: 2-24-2021