

# Stage Series 3" Max White Angled LED Pod



## FEATURES



- Maximum output and performance, in a compact 3" package
- Four automotive-grade Osram Boost HX 20-watt LEDs
- Pin-fin heatsink design, for superior thermal dissipation
- Integrated Deutsch-style connector
- Durable powdercoated aluminum construction
- Designed, torture tested and assembled in USA

## GENERAL SPECIFICATIONS

Optic	Peak Beam Intensity (Candela)	Illuminance (lux @10m)	Measured Output (Lumens)	Raw Output (Lumens)	Output Color
Driving	98,000 cd	980 lux	3,500 lm	7,920 lm	6000K White
Fog	18,000 cd	180 lux	3,500 lm	7,920 lm	6000K White

**Functions:** White Output

**Voltage Range:** 9-16V

**Current Draw (amps @ 12.8V):** 3A

**Wattage:** 38.5W

**Connector Type:** Deutsch DT Connector

**Driver Type:** Integrated Driver

**LED Type/Count:** Osram Boost HX/4 total

**Compliance Rating:** J575 Durability Test, SAE-F J583

**Intrusion Rating:** IP69K Waterproof, High Pressure

**Operating Temperature:** -40°C to 85°C

### What's Included:

- One (1) or Two (2) Stage Series 3" LED Pods
- One (1) or Two (2) Deutsch-style wire pigtails
- One (1) or Two (2) Mounting brackets and hardware

### Dimensions & Weight:

**Length:** 14.5" **Width:** 10" **Height:** 5"

**Weight:** 2.5 lbs (single), 3.5 lbs (pair)

SKUs: Append "S" to the end of each SKU for single and "P" for pair

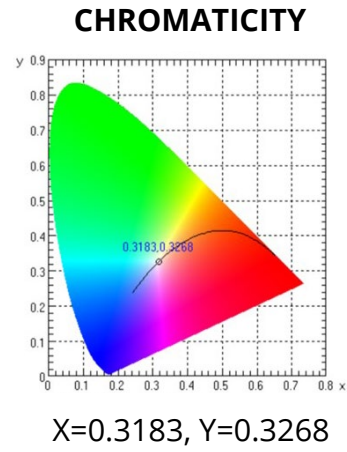
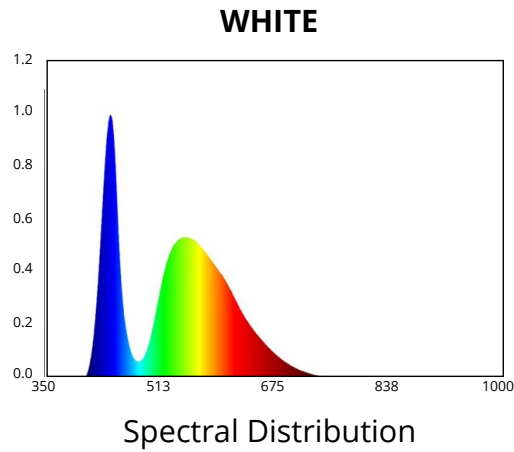
DD6496 Stage Series 3" Max White Driving Angled

DD6499 Stage Series 3" Max White Fog Angled

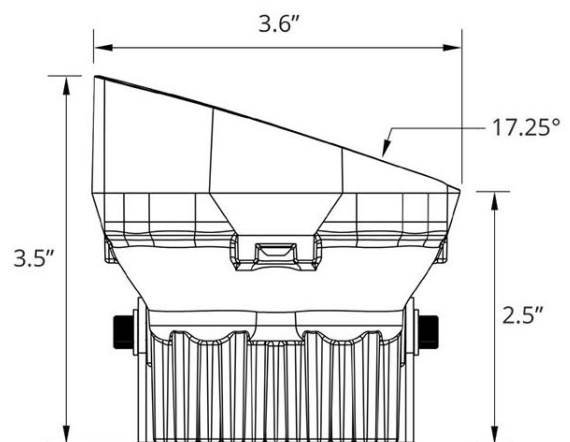
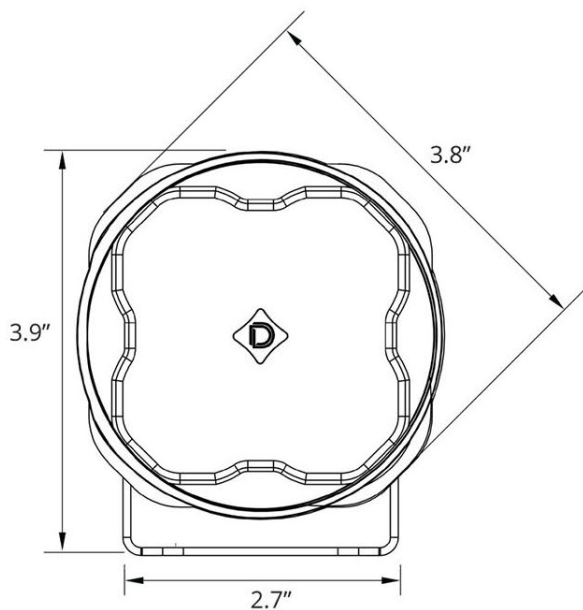
All data and specifications are nominal values and may vary.

PUBLISHED: 2-24-2021

## COLORIMETRIC SPECIFICATIONS



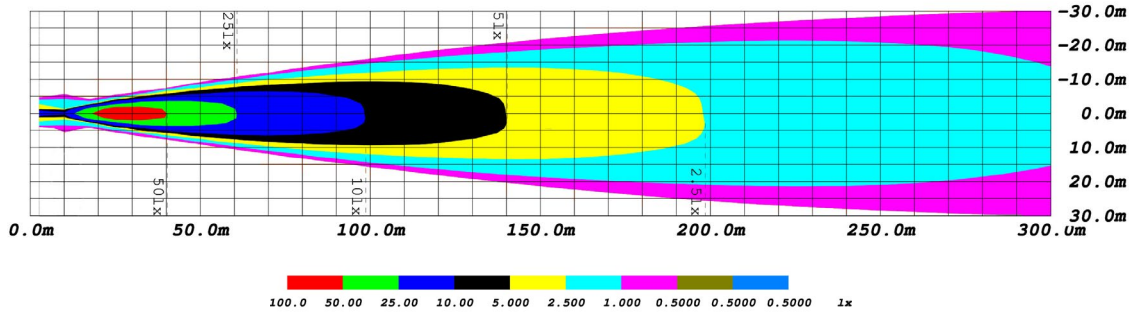
## PRODUCT DIMENSIONS



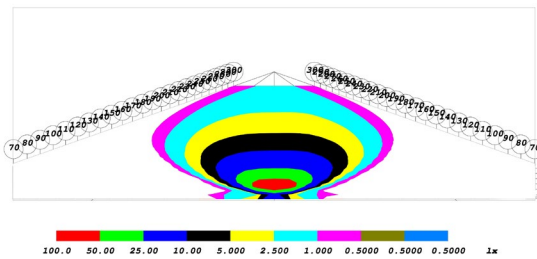
PUBLISHED: 2-24-2021

PHOTOMETRIC SPECIFICATIONS

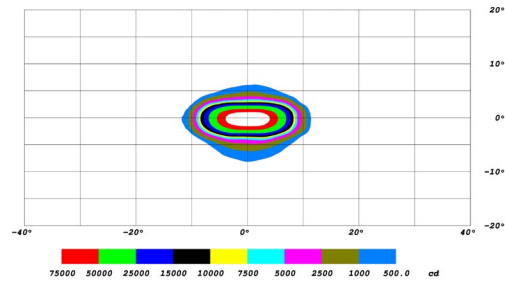
Driving Optic Isolux



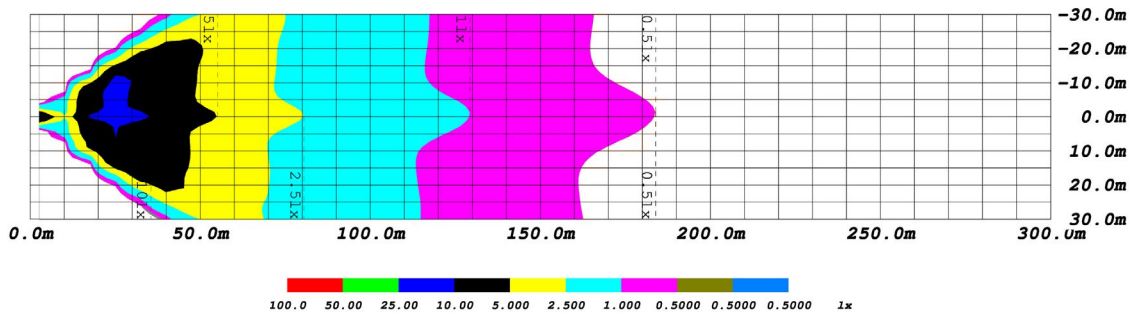
Driving Optic Perspective



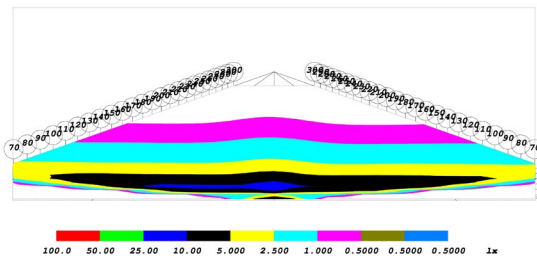
Driving Optic Isocandela



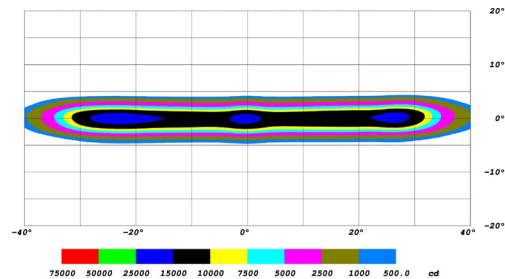
Fog Optic Isolux



Fog Optic Perspective



Fog Optic Isocandela



PUBLISHED: 2-24-2021