

PWY24W HP60 LED Bulb

DD0436S (Single) & DD0436P (Pair)



FEATURES



- Replaces your factory-installed incandescent bulb
- Low power consumption with extra long life
- Plug and play, simple installation
- High-power CSP LEDs for maximum brightness in a small package
- Correct filament location for focused light output

GENERAL SPECIFICATIONS

| Function | Voltage Range | Current Draw* | Wattage | CCT/ Wavelength** | Lumen Output |
|---------------------|---------------|---------------|---------|----------------------|--------------|
| Initial Output | 9-16V | 545 mA | 7W | 6000K | 860 lm |
| Steady-State Output | 9-16V | 350 mA | 4.5W | 6300K | 510 lm |

*Current Draw @13.2v **+/-500 Tolerance

Color: Cool White

Connector Type: PWY24W Base Connector

LED Type/Count: 5W CSP Chips / 6 Total

Operating Temperature: -40°C to 85°C

Compliance Rating: J575 Durability Test

Length: 9" **Width:** 7" **Height:** 1"

Weight: 0.15 lbs

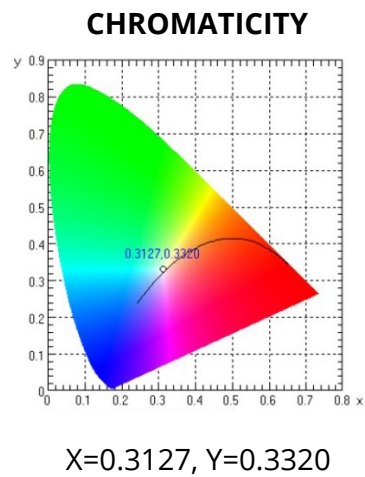
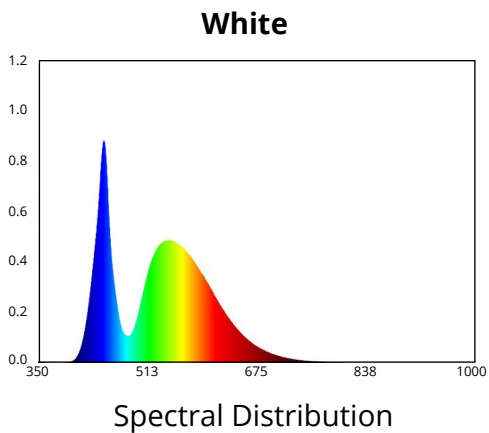
What's Included:

- One (1) or Two (2) PWY24W HP60 LED Bulb(s)

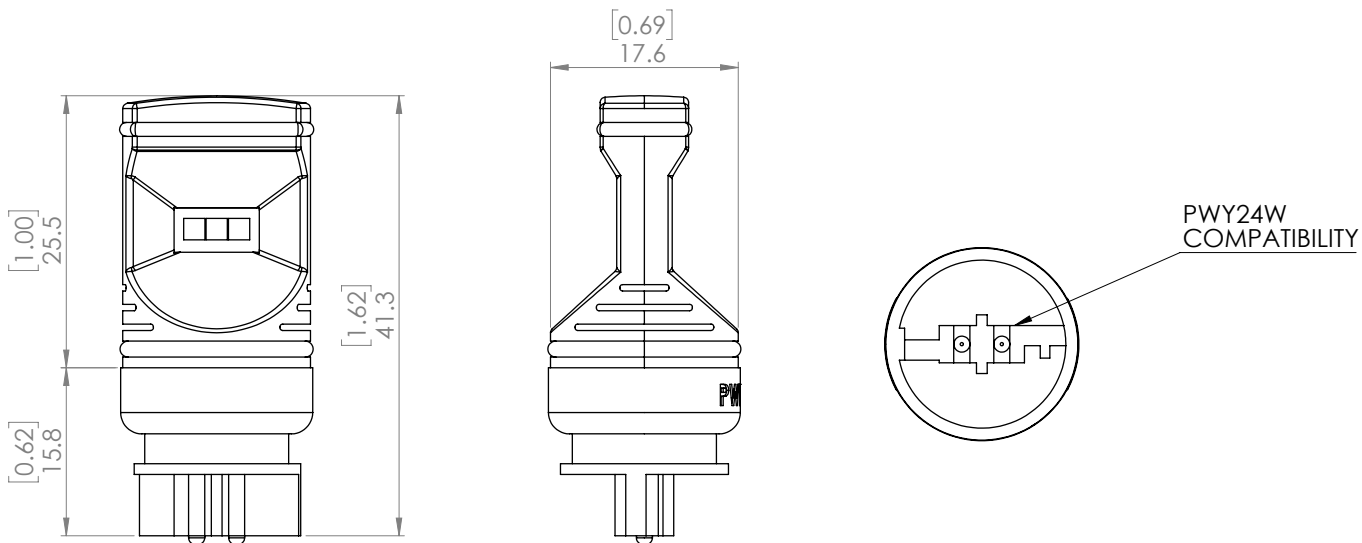
All data and specifications are nominal values and may vary.

PUBLISHED: 5-1-2020

COLORIMETRIC SPECIFICATIONS



PRODUCT DIMENSIONS



PUBLISHED: 5-1-2020